

# ***DZS VACUUM DRY CLAW SOLUTIONS***



*Atlas Copco*



The image shows two large, dark-colored industrial vacuum pumps in a factory or industrial setting. The pumps are mounted on a metal base and have a prominent circular fan grille on the front. The background is a plain, light-colored wall with some pipes and a metal structure visible.

## ***THERE IS ALWAYS A BETTER WAY***

For more than a century this guiding principle has driven Atlas Copco's engineers and designers to develop new technologies and revolutionize productivity in the compressed air and vacuum world. It is the driving force in everything we do. Many of the Group's products have become global success stories. The innovation of a rotary screw vacuum pump with Variable Speed Drive delivering on average 50% energy savings, is one of them.

Successful companies bring innovative products that contribute to the productivity of their customers. Premium products are technologically more advanced. On the other hand a brilliant design that offers simplicity is also innovation. You should be offered a solution with the lowest cost of ownership. To score better than competition, innovation is key. What we want to achieve for you are lower lifecycle costs, higher productivity, less energy consumption, simple operation and control and also easy maintenance.

That is also what we aimed for when designing our new dry claw vacuum solutions: they stand for sustainable productivity.



## Connect and empower

Thousands of applications – central systems in hospitals, CNC routing, pneumatic conveying, milking parlors – share a common need: vacuum. And that is what Atlas Copco provides – safely, reliably, cost-effectively and continuously. Connect with Atlas Copco to get the utility you need to empower your processes and operations, and drive your productivity.

## Reliability you can trust

From our manufacturing base in Antwerp, we have delivered tens of thousands of claw pumps. They are working quietly and efficiently in all corners of the world. They are characterized by a low failure rate over a long lifetime, even in the most challenging conditions.

## Masters of innovation

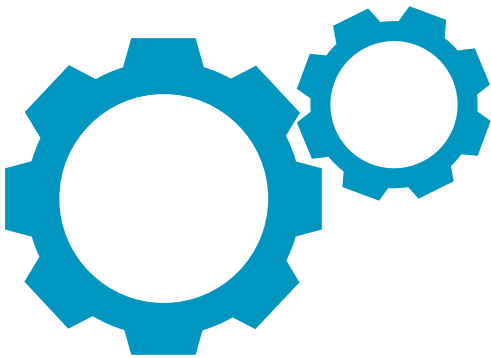
The durability of our claw pumps is rooted in our expertise. We acquired Edwards, the company that first introduced claw technology to vacuum applications in the high tech electronics industry. In addition Atlas Copco was the first to innovate multi-claw technology for compressors. The combined knowledge and experience of these two companies leads to low cost, efficient and reliable products.

## Fully certified

Our dry claw machines meet the demanding requirements of ISO 9001, ISO 14001 and OHSAS 18001, as verified by Lloyds of London. They are backed up a market-leading warranty and a service support network across 180 countries. The result? 24/7 assurance that your products and your processes are constantly kept in the best possible working order.

## ***EFFICIENT VACUUM PUMPS WITH LOW LIFECYCLE COSTS***

The new range based on Atlas Copco's dry claw technology features an innovative design which creates a new benchmark in the claw pump market. The simplicity, robustness, efficiency and contaminant handling capability of these pumps make them the smart choice for your application. Built to the exacting standards and quality demanded by our customers, the new dry claw pump provides you with a trouble-free and cost-effective solution to meet your needs.

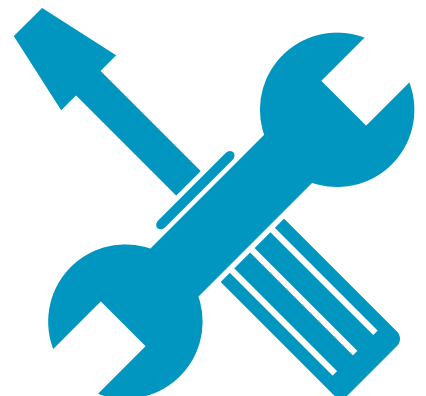


### **Built to last**

Manufactured on the fundamentals of Atlas Copco compressor design, these pumps feature some innovative construction materials and coatings for a lifetime of reliable operation even in harsh conditions.

### **Easy maintenance**

Long life bearings and seals, a separate and isolated pumping element, and the simplest of designs suited for quick access to the pumping chamber make for easy cleaning in the event of product carry-over.



### **Unrivalled performance**

- Extensive product range.
- Unrivalled ultimate vacuum level.
- Market leading performance.
- Best in class power consumption.
- Minimal machine lifecycle costs.
- Low noise levels.

# DESIGNED FOR A LONG LIFE OF RELIABLE, EFFICIENT OPERATION

The dry claw machine boasts some fantastic design features including corrosion resistant claws. The renowned Atlas Copco surface coating applied to the pumps process chambers has proven to be unrivalled in our compressors.

1

## Innovative features

- Dry (oil-free) pumping chamber.
- Market leading low noise level.
- Efficient IE3 motor with variable speed option for complete controllability.
- Simple maintenance with contact-free internals eliminating wear.
- Cool running and simple air cooling.
- Compact design with a small footprint.

2

## Built-in corrosion resistance (standard)

- Corrosion resistant claws manufactured in stainless steel.
- Durable coated pumping chamber.
- Suitable for many harsh applications.

3

## Cleverly designed element

- Easily accessible pumping chamber for cleaning without accessing the gearbox and disturbing the timing.
- Modular design allows flexibility and efficiency in terms of maintenance and life cycle costs.

4

## Upgraded bearings and seals

Based on proven compressor and screw vacuum pump design for long trouble free life even in the harshest applications.

5

## Compact machine with a small footprint

Ideally suited for replacement market, compressor house installations and OEM machinery.



6

## Variable Speed Drive compatible (VSD)

- Significant energy savings: up to 50% compared to fixed speed machines.
- Improved response to varying demand.
- Opportunity to replace multiple machines and centralize pumps in one location to optimize system performance.

7

## Set-point control option

- Allows you to optimize the energy you use to maintain your process duty point.
- The lowest possible flow will be delivered to match your required duty point or speed – nothing is wasted.

# TECHNICAL SPECIFICATIONS

Type	Nominal displacement		Ultimate vacuum			Permissible ambient temperature range		Nominal motor rating	
	m <sup>3</sup> /h	cfm	mbar(a)	Torr	"Hg Vac	°C	°F	kW	Hp
DZS 065 V 50 Hz	65	38	50	37.5	28.4	0 to 40	32 to 104	1.8	2.4
DZS 065 V 60 Hz	78	46	50	37.5	28.4	0 to 40	32 to 104	2.2	3
DZS 150 V 50 Hz	152	91	50	37.5	28.4	0 to 40	32 to 104	3.7	5
DZS 150 V 60 Hz	184	110	50	37.5	28.4	0 to 40	32 to 104	3.7	5
DZS 300 V 50 Hz	295	177	140	105	25.8	0 to 40	32 to 104	6.2	8.3
DZS 300 V 60 Hz	347	208	140	105	25.8	0 to 40	32 to 104	7.5	10

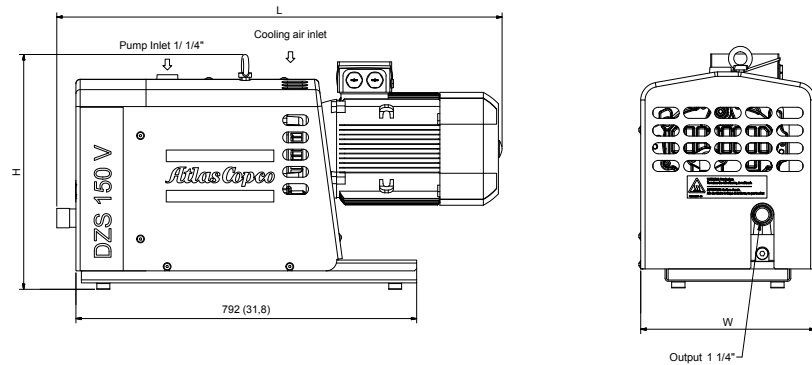
Pumping speed based on air at 20°C / 70°F. Tolerance +/-10%.

# DIMENSIONS

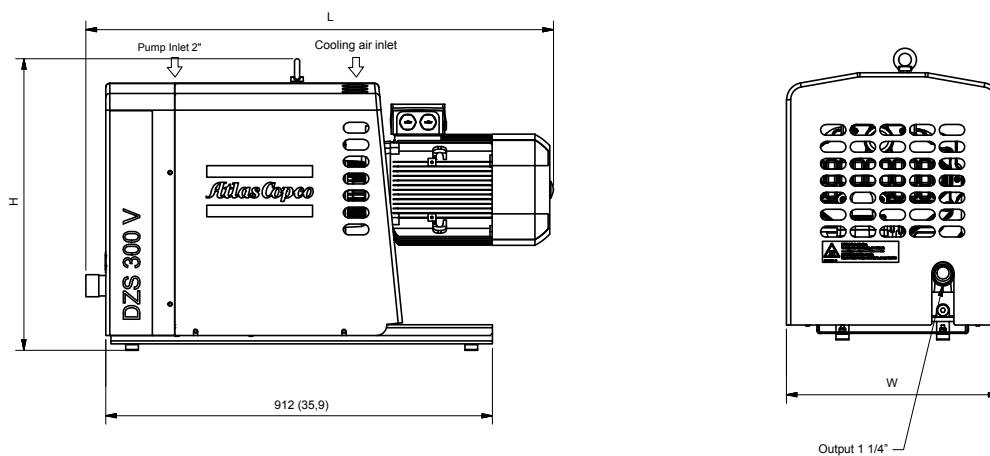
Type	Length		Width		Height		Inlet connection size	Outlet connection size
	mm	in	mm	in	mm	in	NPT*	NPT*
DZS 065 V	920	36.2	394	15.5	545	21.4	1 1/4"	1 1/4"
DZS 150 V	934	36.7	394	15.5	545	21.4	1 1/4"	1 1/4"
DZS 300 V	1110	43.7	500	19.6	688	27	2"	1 1/4"

\* Pumps are equipped with BSP to NPT adaptors.

## DZS 065 V – DZS 150 V

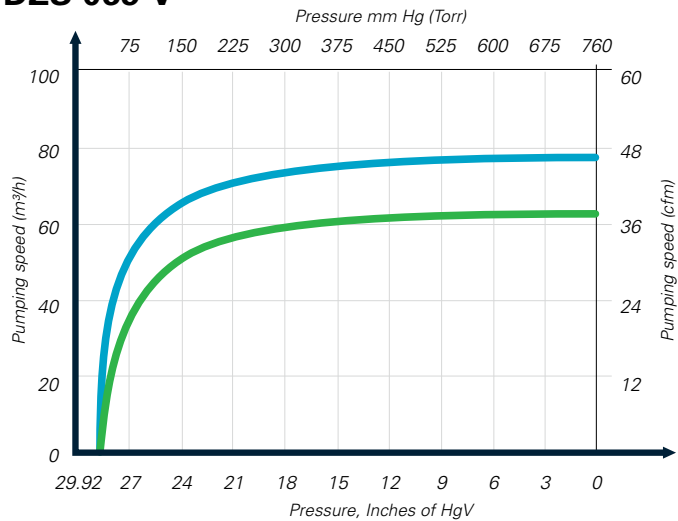


## DZS 300 V

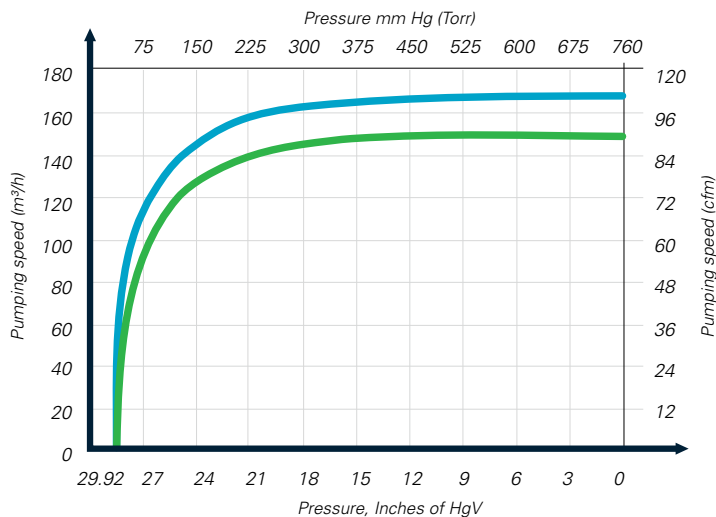


# PERFORMANCE

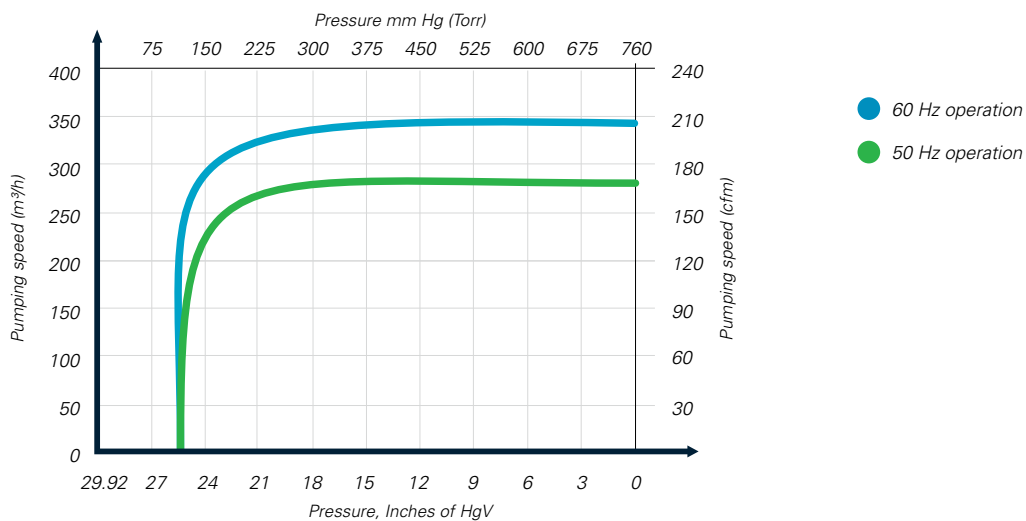
## DZS 065 V



## DZS 150 V



## DZS 300 V





### Driven by innovation

We are celebrating over 140 years of innovation and experience. Our mission is to continue to bring sustainable productivity through safer, cleaner, more energy efficient, cost-effective compressed air technology. As a result, every compressed air solution we create helps customers operate with greater efficiency, economy, and productivity.



### Local interaction

Atlas Copco Compressors LLC is headquartered in Rock Hill, SC. We have major sales, manufacturing, production, and distribution facilities located in California, Illinois, Massachusetts, North Carolina, South Carolina, and Texas. We take the best possible care of our customers through regional customer centers and appointed distributors. Across all of our different business types and brands, we have over 116 locations and approximately 4,800 people in the U.S.



### Committed to sustainability

We are among the top 100 sustainable companies in the world and a member of the Dow Jones World Sustainability Index. Atlas Copco has also been recognized by Forbes, Thomson-Reuters and Newsweek, among others, for our commitment to innovation and sustainability. All Atlas Copco Compressors facilities in the United States are triple certified to ISO 14001, ISO 9001 and OHSAS 18001, a set of standards to protect the environment, ensure product quality, and promote our employees' health and occupational safety.

[www.atlascopco.us](http://www.atlascopco.us)

866-546-3588



## COMMITTED TO SUSTAINABLE PRODUCTIVITY

We stand by our responsibilities towards our customers, towards the environment, and the people around us. We make performance stand the test of time. This is what we call – Sustainable Productivity.

*Atlas Copco*

© Copyright 2016 Atlas Copco Compressors LLC. All rights reserved.  
® Atlas Copco is a registered trademark of Atlas Copco AB